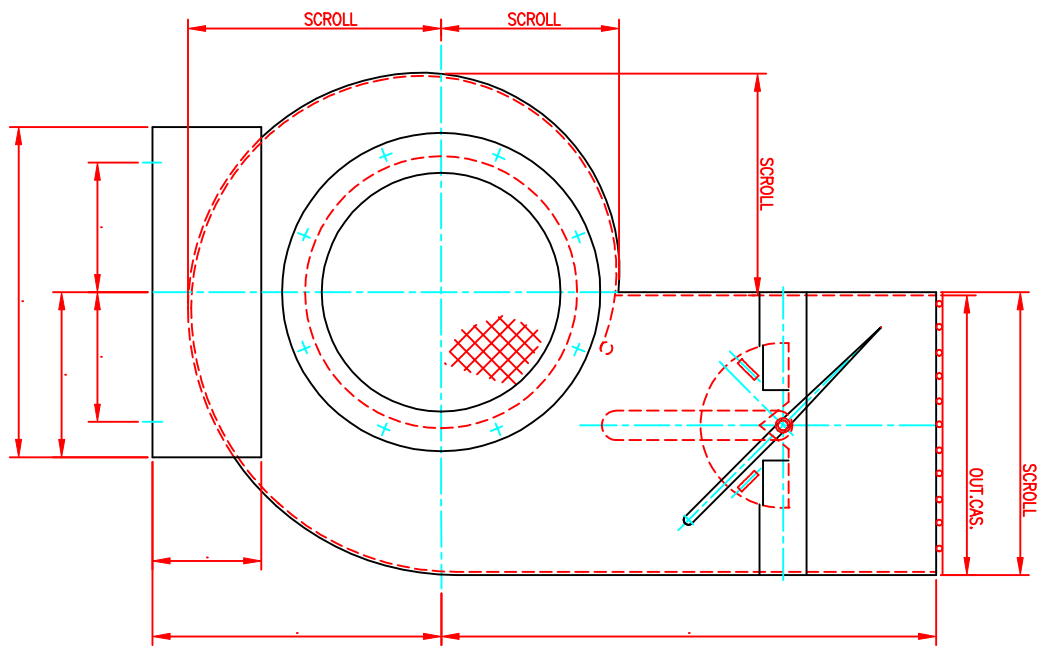


END ELEVATION



INLET SIDE ELEVATION

POSITION OF DISCHARGE & ROTATION FROM DRIVE SIDE

BH	CW	BAU	CW	UB	CW	TAU	CW
FIG.1	FIG.2	FIG.3	FIG.4	FIG.5	FIG.6	FIG.7	FIG.8
TH	CW	TAD	CW	BH	CCW	BAU	CCW
UB	CCW	TAU	CCW	TH	CCW	TAD	CCW
FIG.11	FIG.12	FIG.13	FIG.14				



SHELDONS ENGINEERING
www.sheldonsengineering.com
sales@sheldonsengineering.com

TITLE: PRELIMINARY DRAWING ARR. 4 POWER ABSORPTION FAN	
DRW: S.P.	CUST:
DATE: NOV/2001	
CHKD:	
SCALE: N.T.S.	DWG NO:
	CL: